
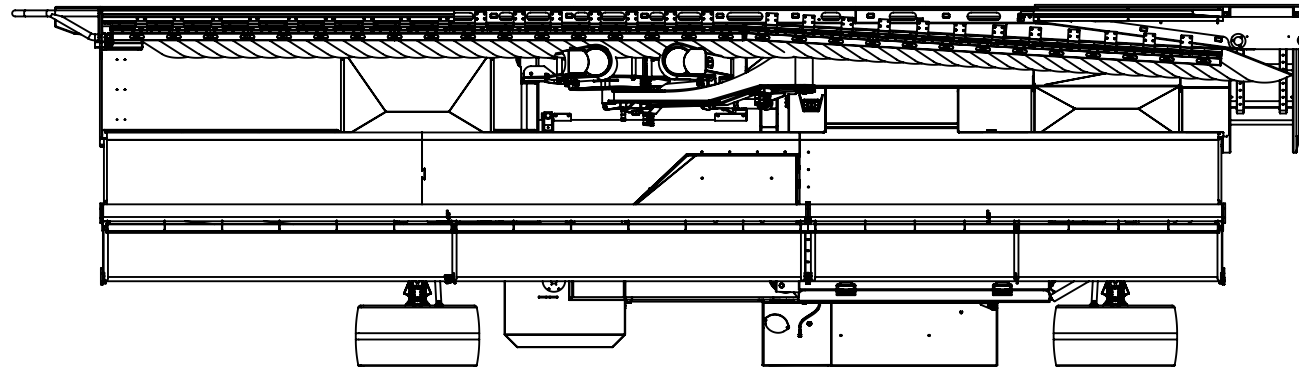
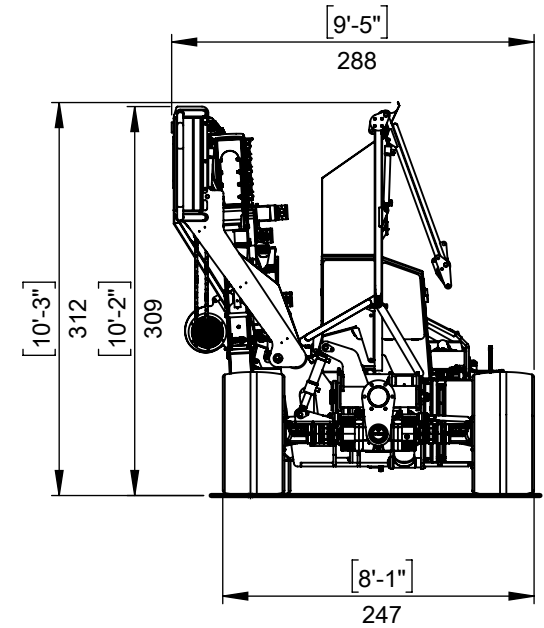
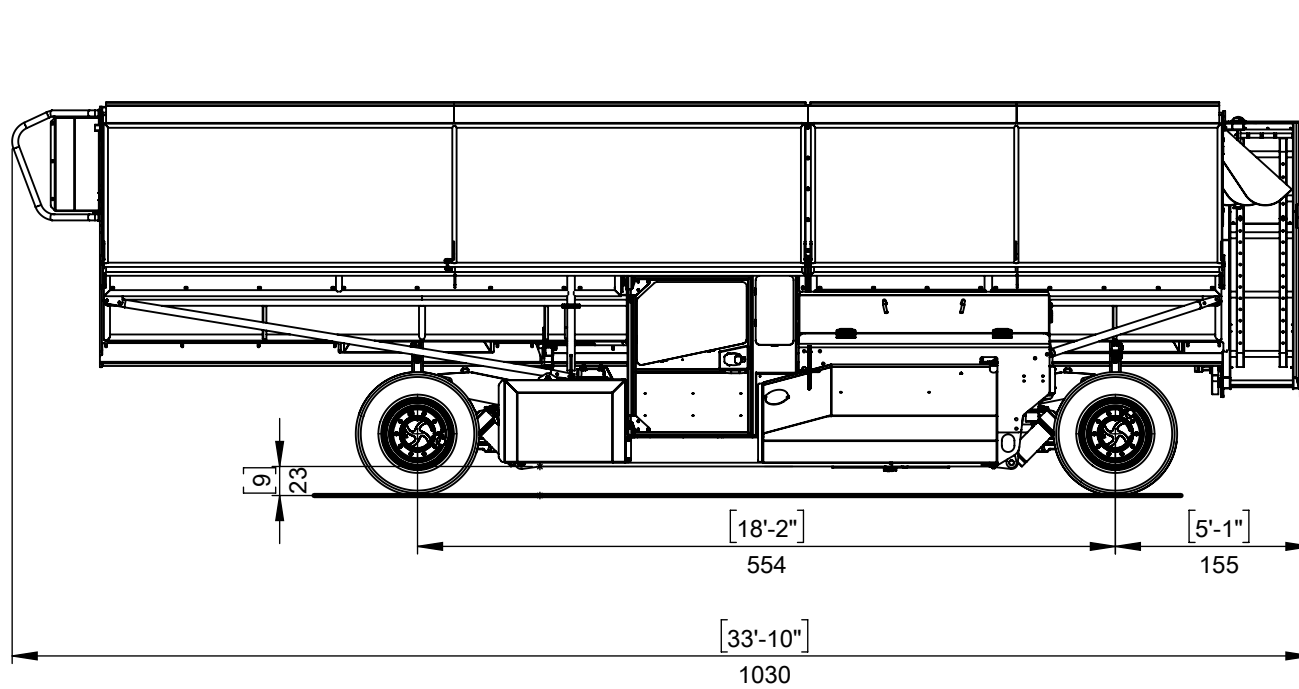


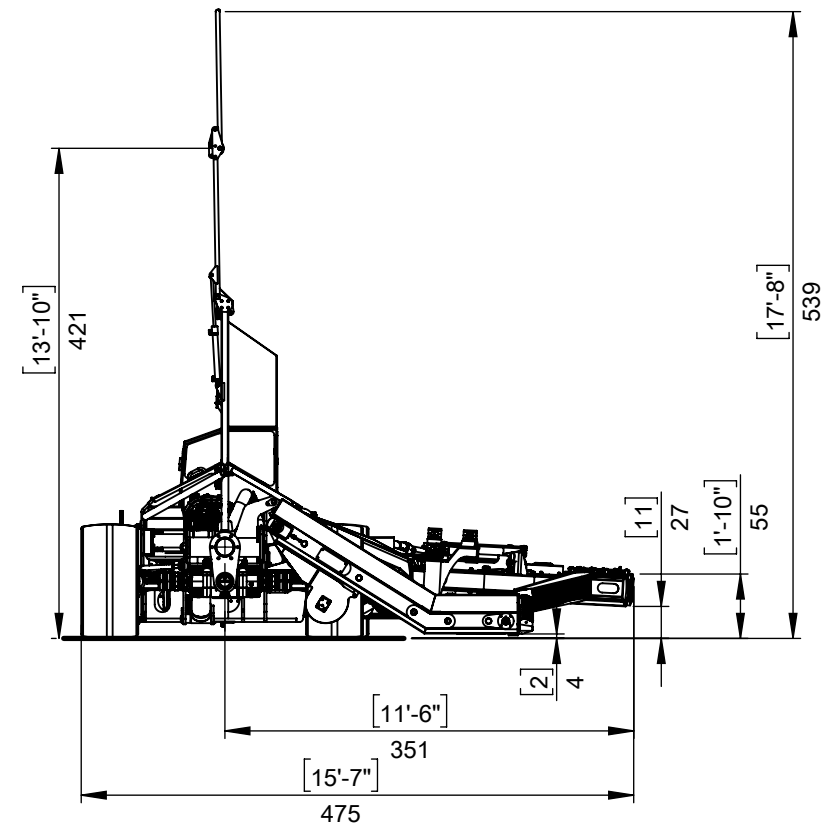
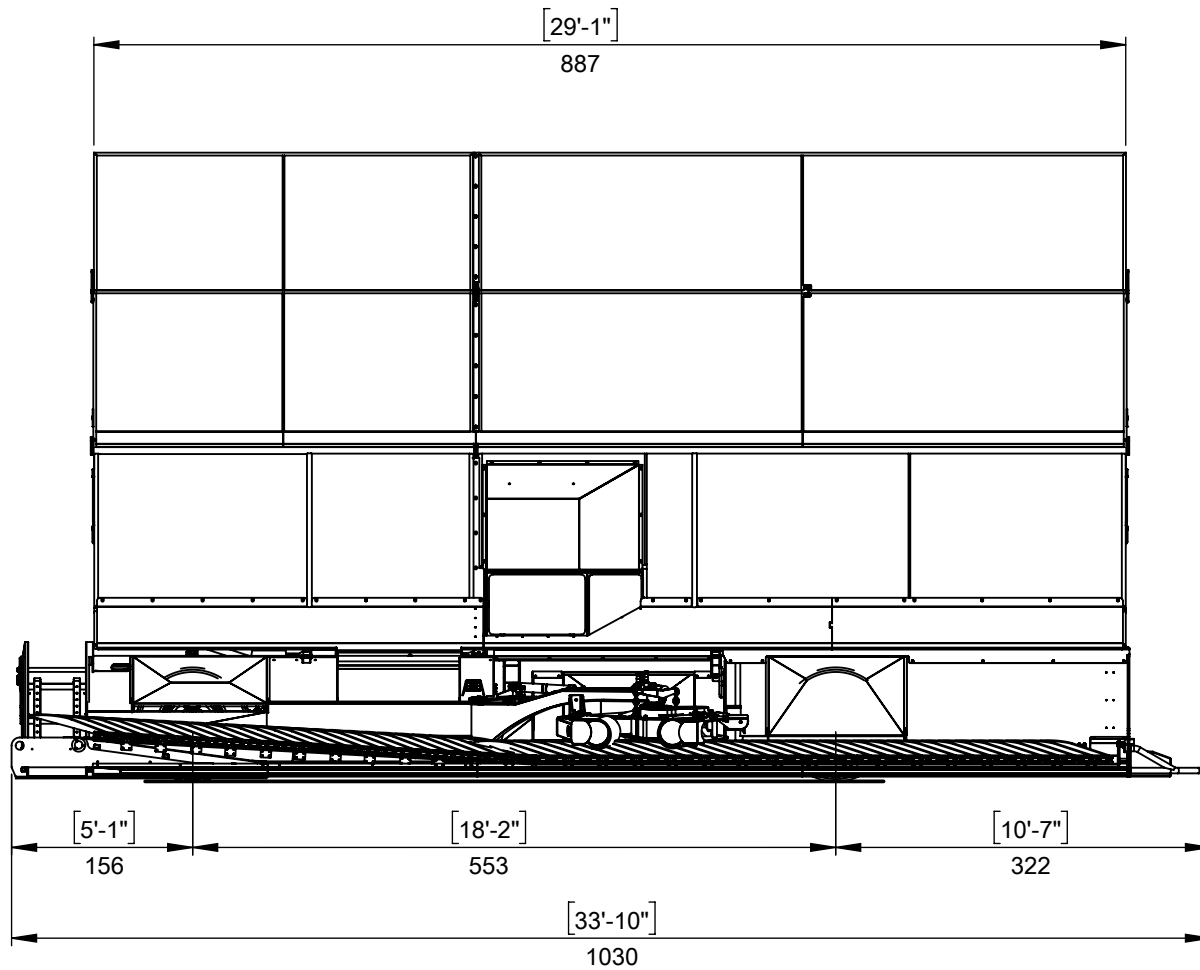
All proprietary rights reserved by TOL Incorporated. This drawing shall not be reproduced or in any way utilized, for the manufacture of the component or unit here in illustrated and must not be replaced to other parties without written consent by TOL Incorporated. Any infringement will be legally pursued.

Machine model:	TWIN D3-T4	
Dimension drawing	Version:	04.2020.00
As our policy is one of continuous improvement we reserve the right to change specification without notice and without incurring obligation.	Scale:	1:75
	Date:	April 2020
	Sheet:	1 of 5
Machine dimension may vary according to special option, tractor size (kit models), or special feature.	All dimensions are rounded	
Remarks: All dimensions are in dual properties: feet-inches & centimeters		



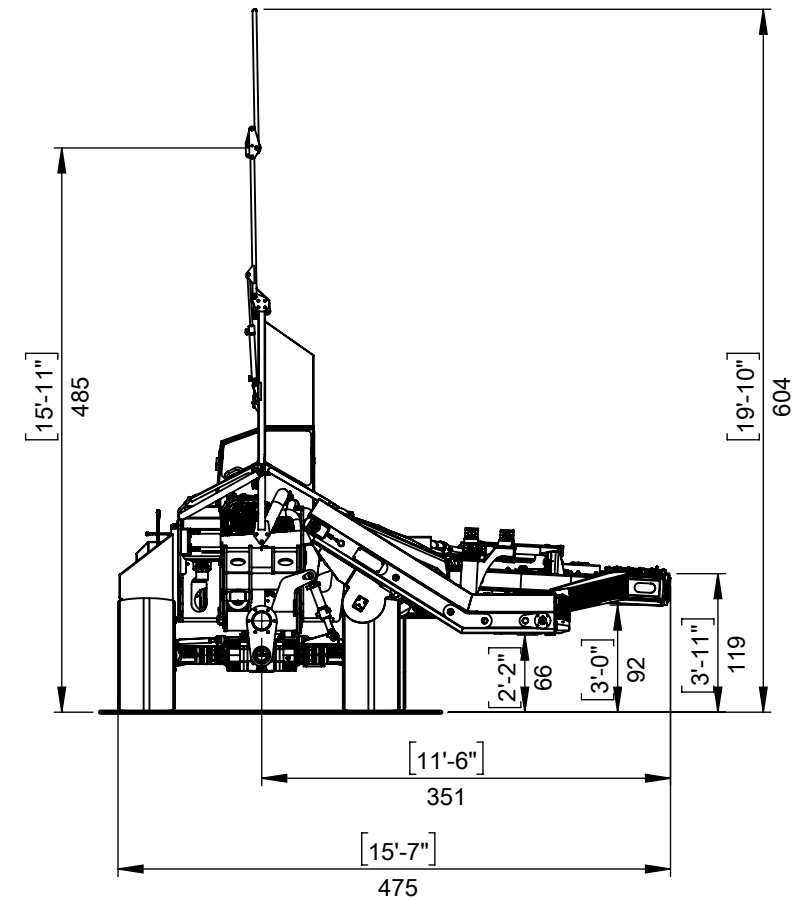
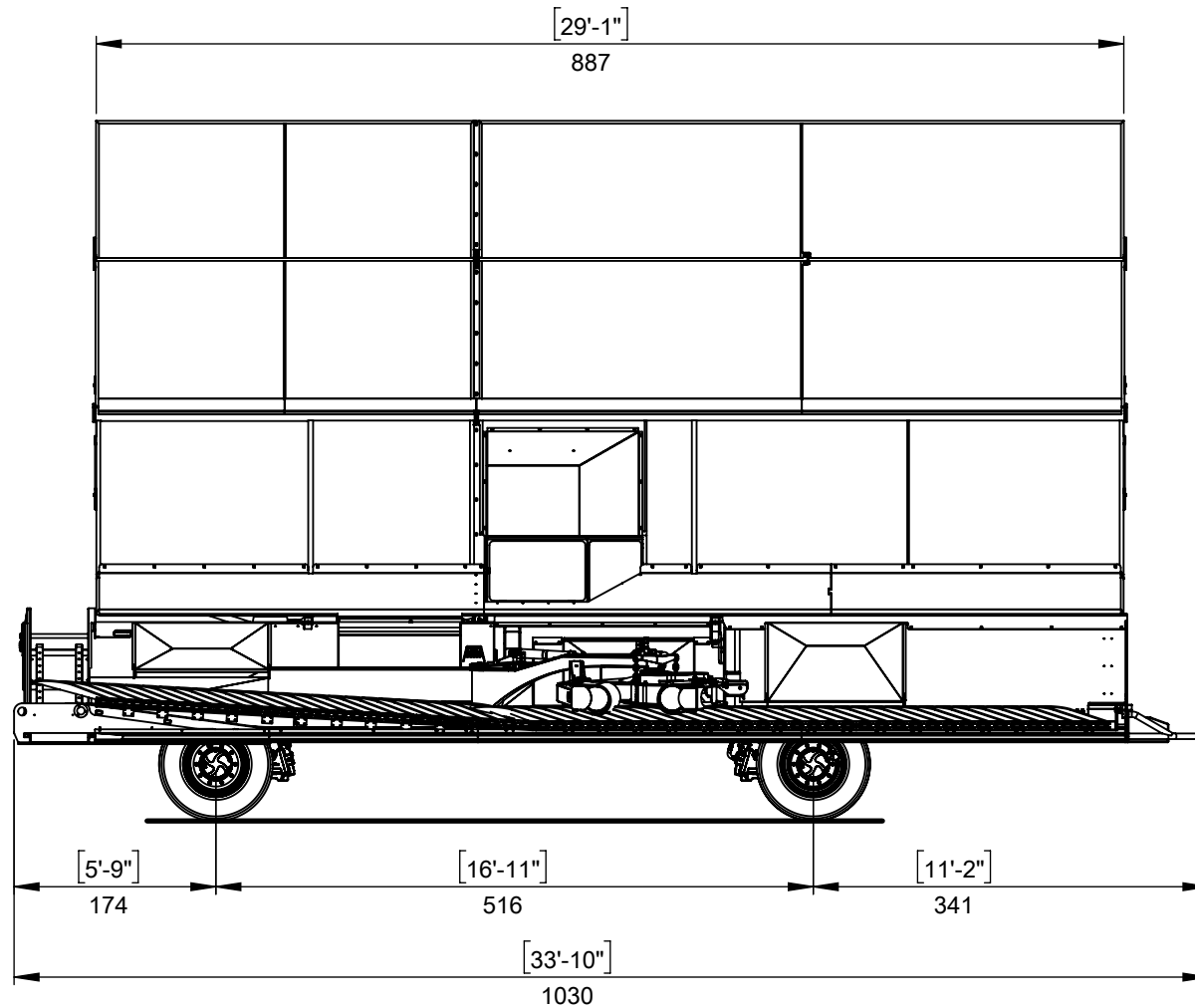
All proprietary rights reserved by TOL Incorporated. This drawing shall not be reproduced or in any way utilized, for the manufacture of the component or unit here in illustrated and must not be replaced to other parties without written consent by TOL Incorporated. Any infringement will be legally pursued.

Machine model:	TWIN D3-T4	
Dimension drawing	Version:	04.2020.00
As our policy is one of continuous improvement we reserve the right to change specification without notice and without incurring obligation.	Scale:	1:60
	Date:	April 2020
Machine dimension may vary according to special option, tractor size (kit models), or special feature.	Sheet:	2 of 5
	All dimensions are rounded	
Remarks: All dimensions are in dual properties: feet-inches & centimeters		



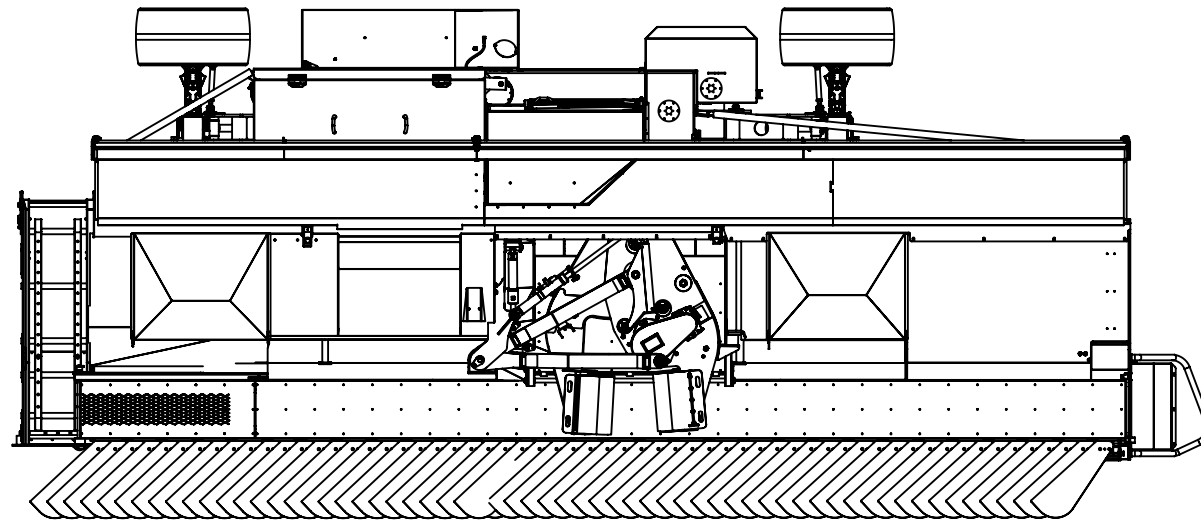
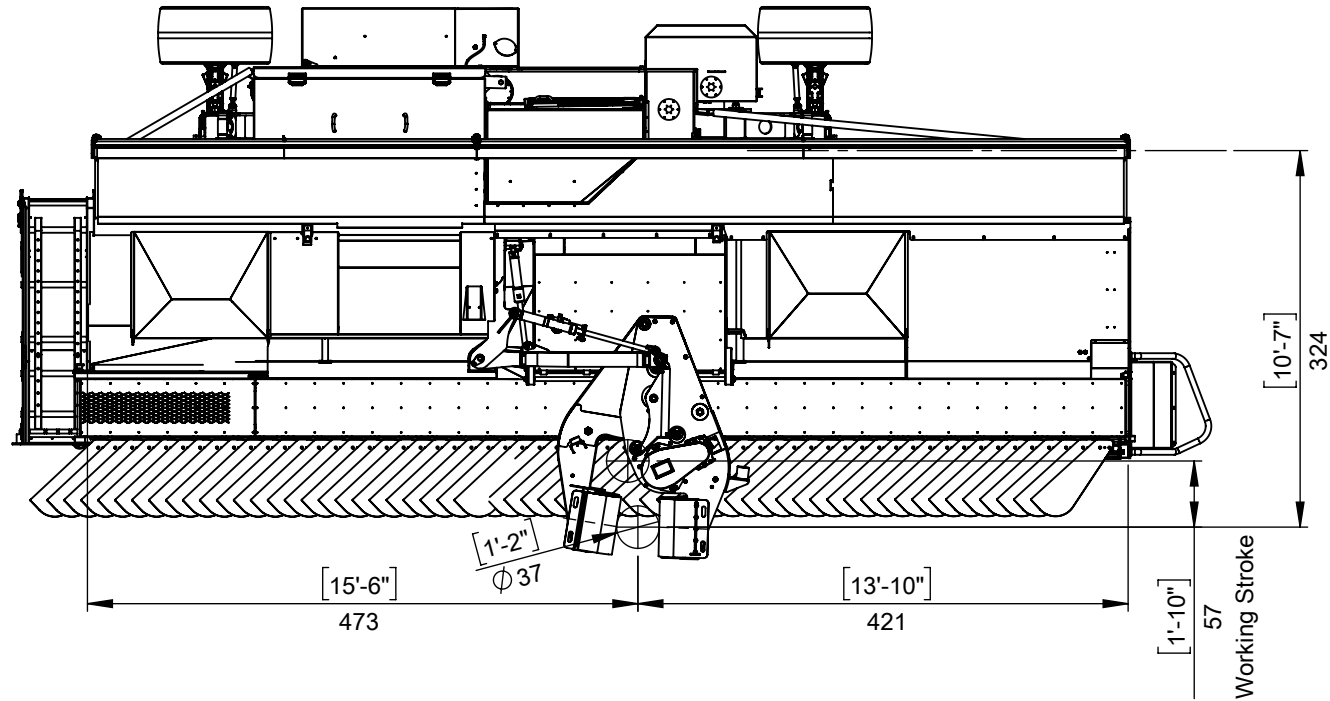
All proprietary rights reserved by TOL Incorporated. This drawing shall not be reproduced or in any way utilized, for the manufacture of the component or unit here in illustrated and must not be replaced to other parties without written consent by TOL Incorporated. Any infringement will be legally pursued.

Machine model:		TWIN D3-T4	
Dimension drawing	Version:	04.2020.00	
As our policy is one of continuous improvement we reserve the right to change specification without notice and without incurring obligation. Machine dimension may vary according to special option, tractor size (kit models), or special feature. Remarks: All dimensions are in dual properties: feet-inches & centimeters	Scale:	1:65	
	Date:	April 2020	
	Sheet:	3 of 6	
		All dimensions are rounded	



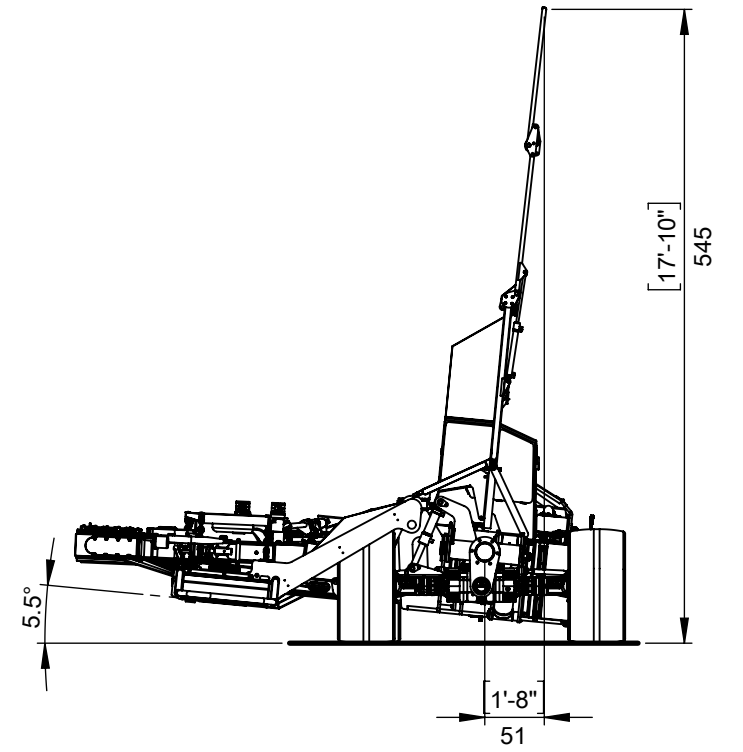
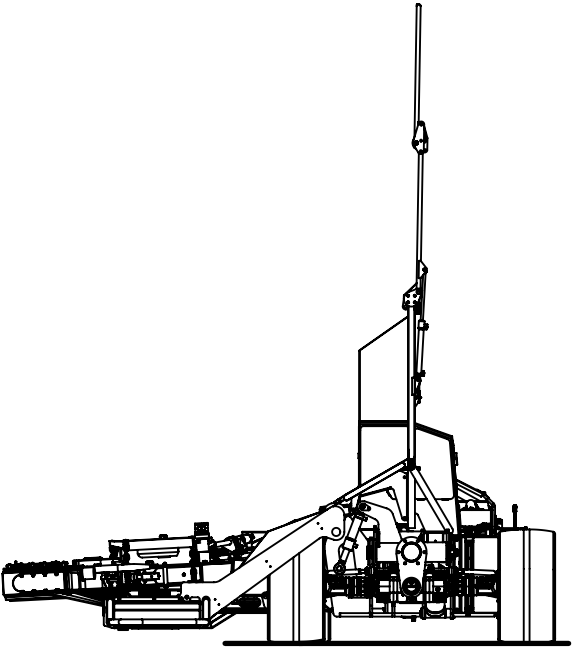
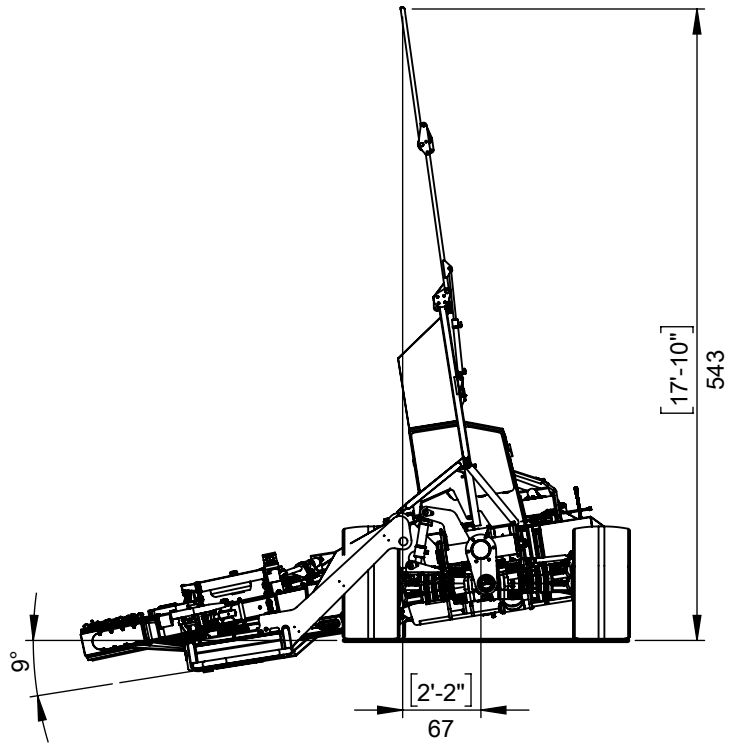
All proprietary rights reserved by TOL Incorporated. This drawing shall not be reproduced or in any way utilized, for the manufacture of the component or unit here in illustrated and must not be replaced to other parties without written consent by TOL Incorporated. Any infringement will be legally pursued.

Machine model:	TWIN D3-T4	
Dimension drawing	Version:	04.2020.00
Machine dimension may vary according to special option, tractor size (kit models), or special feature.	Scale:	1:65
	Date:	April 2020
	Sheet:	4 of 6
Remarks: All dimensions are in dual properties: feet-inches & centimeters	All dimensions are rounded	



All proprietary rights reserved by TOL Incorporated. This drawing shall not be reproduced or in any way utilized, for the manufacture of the component or unit here in illustrated and must not be replaced to other parties without written consent by TOL Incorporated. Any infringement will be legally pursued.

Machine model:	TWIN D3-T4	
Dimension drawing	Version:	04.2020.00
	Scale:	1:65
	Date:	April 2020
Machine dimension may vary according to special option, tractor size (kit models), or special feature.	Sheet:	5 of 6
Remarks: All dimensions are in dual properties: feet-inches & centimeters	All dimensions are rounded	



All proprietary rights reserved by TOL Incorporated. This drawing shall not be reproduced or in any way utilized, for the manufacture of the component or unit here in illustrated and must not be replaced to other parties without written consent by TOL Incorporated. Any infringement will be legally pursued.

Machine model:	TWIN D3-T4	
Dimension drawing	Version:	04.2020.00
	Scale:	1:65
	Date:	April 2020
Machine dimension may vary according to special option, tractor size (kit models), or special feature.	Sheet:	6 of 6
	All dimensions are rounded	
Remarks: All dimensions are in dual properties: feet-inches & centimeters	