
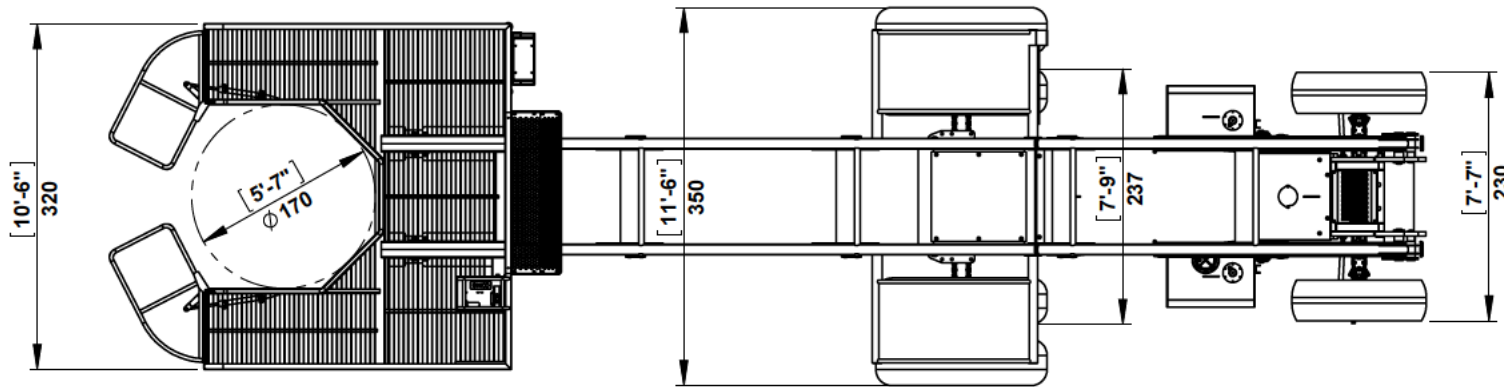
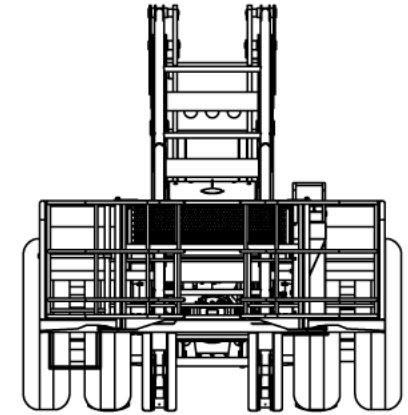
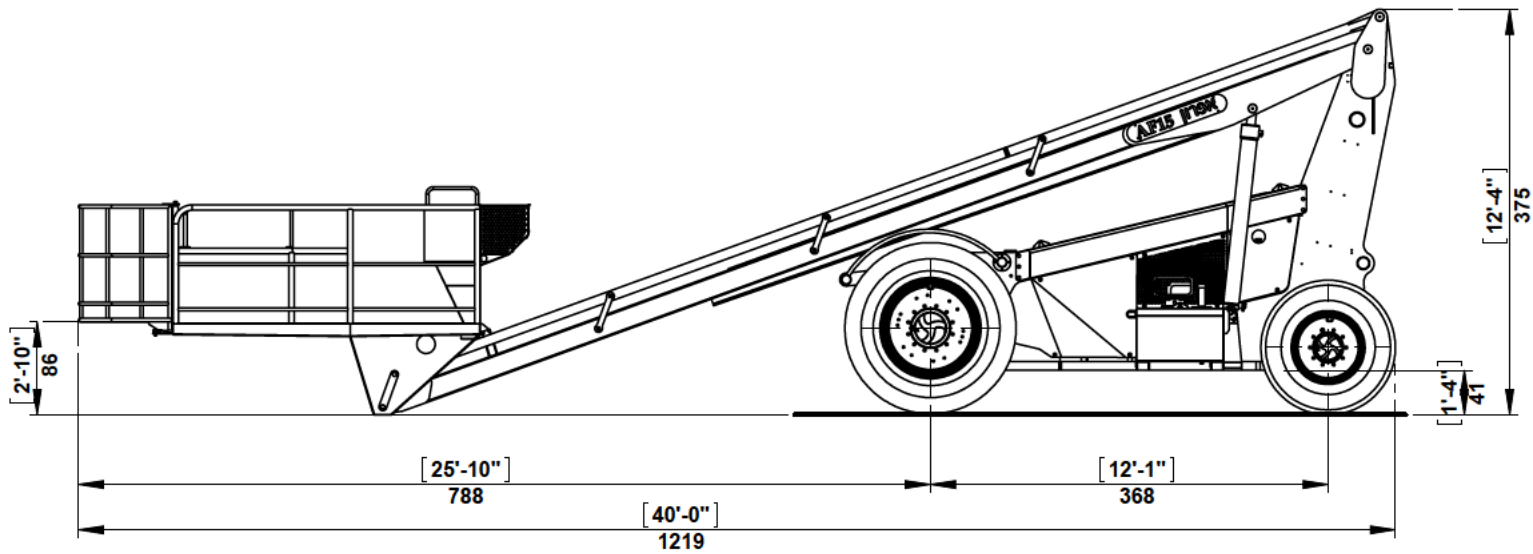


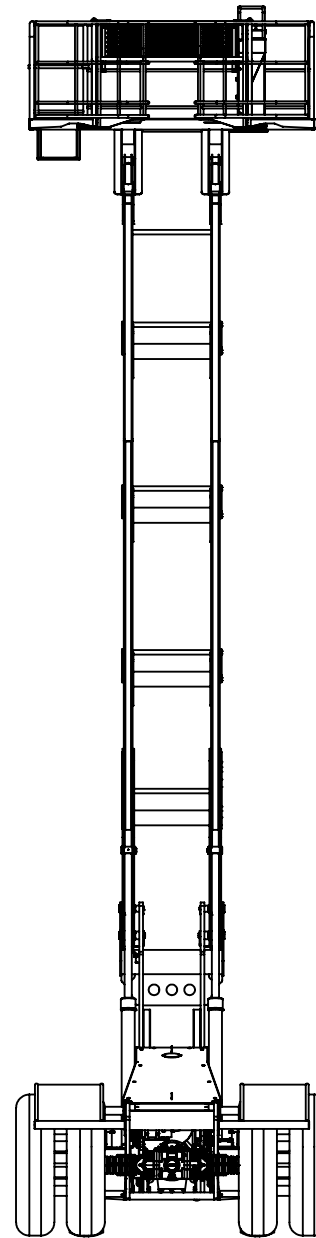
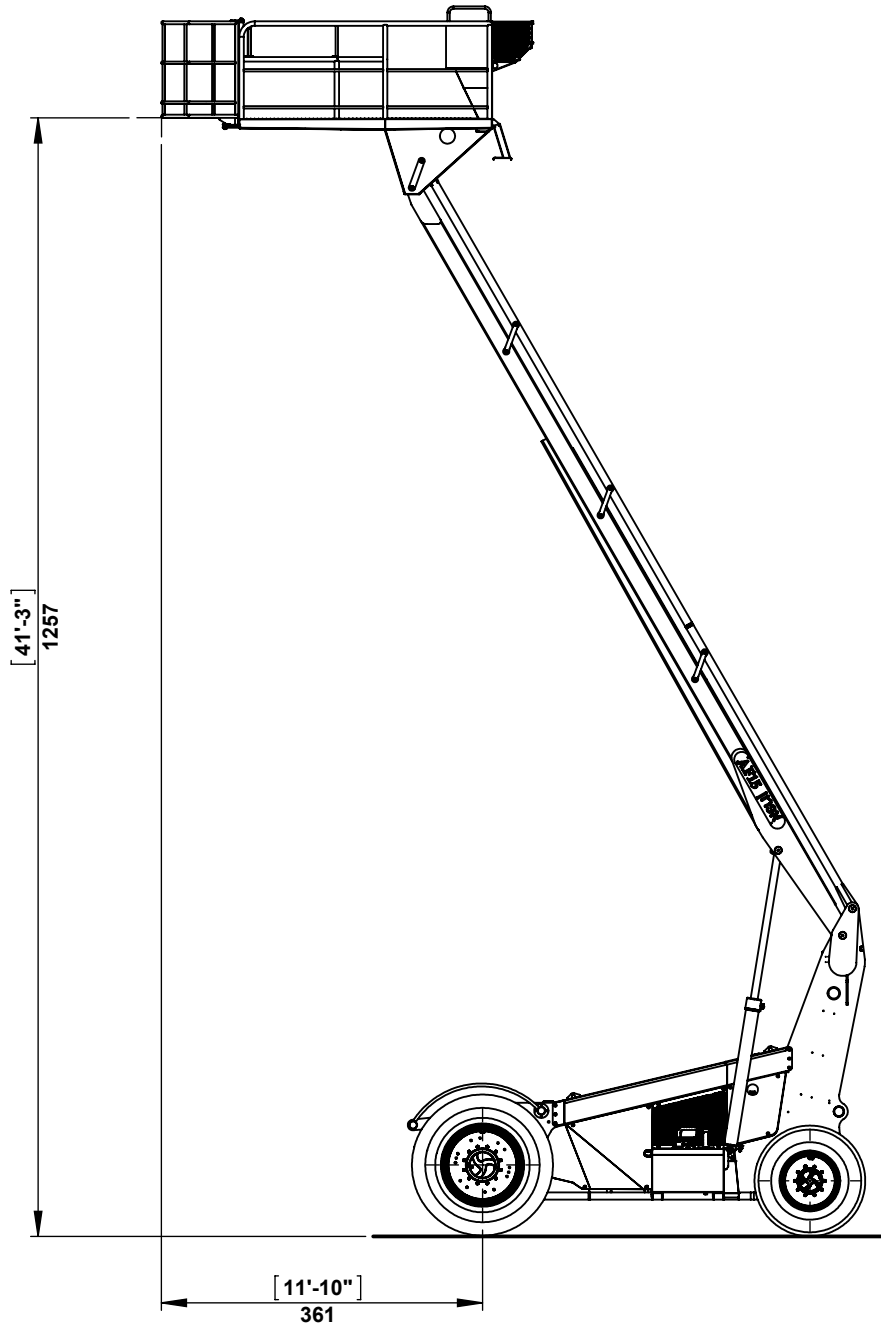
All proprietary rights reserved by TOL Incorporated. This drawing shall not be reproduced or in any way utilized, for the manufacture of the component or unit here in illustrated and must not be replaced to other parties without written consent by TOL Incorporated. Any infringement will be legally pursued.

Machine model: Platform AF 15	
Dimension drawing	Version: 02.2015.00
As our policy is one of continuous improvement we reserve the right to change specification without notice and without incurring obligation.	Scale: 1:40
	Date: Feb.2015
Machine dimension may vary according to special option, tractor size (kit models), or special feature.	Sheet: 1 of 4
	All dimensions are rounded
Remarks: All dimensions are in dual properties: feet-inches & centimeters	



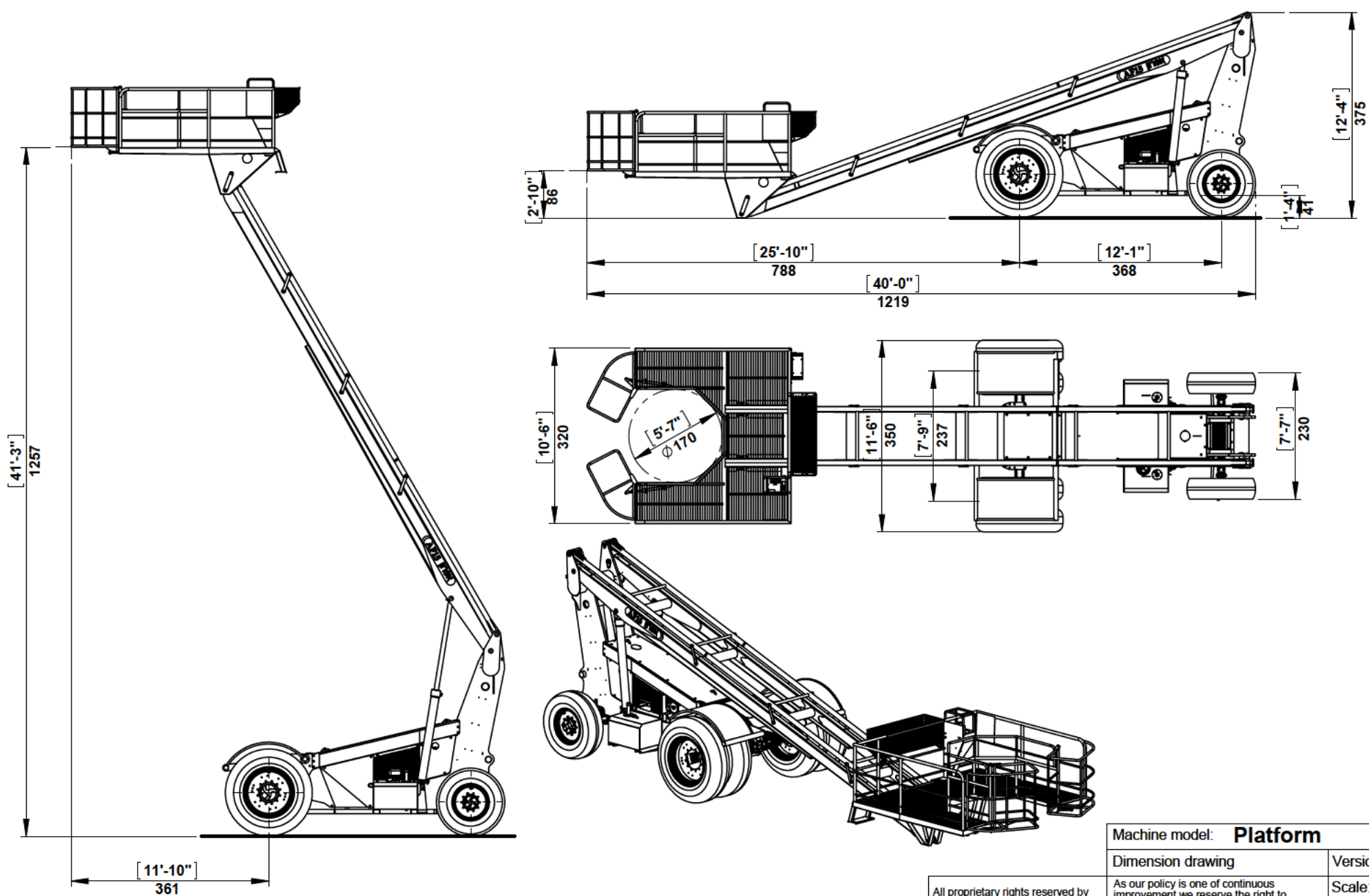
All proprietary rights reserved by TOL Incorporated. This drawing shall not be reproduced or in any way utilized, for the manufacture of the component or unit here in illustrated and must not be replaced to other parties without written consent by TOL Incorporated. Any infringement will be legally pursued.

Machine model: Platform AF 15	
Dimension drawing	Version: 02.2015.00
	Scale: 1:70
	Date: Feb.2015
Machine dimension may vary according to special option, tractor size (kit models), or special feature.	Sheet: 2 of 4
All dimensions are rounded	
Remarks: All dimensions are in dual properties: feet-inches & centimeters	



All proprietary rights reserved by TOL Incorporated. This drawing shall not be reproduced or in any way utilized, for the manufacture of the component or unit here in illustrated and must not be replaced to other parties without written consent by TOL Incorporated. Any infringement will be legally pursued.

Machine model: Platform AF 15	
Dimension drawing	Version: 02.2015.00
	Scale: 1:85
	Date: Feb.2015
Machine dimension may vary according to special option, tractor size (kit models), or special feature.	Sheet: 3 of 4
All dimensions are rounded	
Remarks: All dimensions are in dual properties: feet-inches & centimeters	



All proprietary rights reserved by TOL Incorporated. This drawing shall not be reproduced or in any way utilized, for the manufacture of the component or unit here in illustrated and must not be replaced to other parties without written consent by TOL Incorporated. Any infringement will be legally pursued.

Machine model: Platform AF 15	
Dimension drawing	Version: 02.2015.00
	Scale: 1:95
	Date: Feb.2015
Machine dimension may vary according to special option, tractor size (kit models), or special feature.	Sheet: 4 of 4
All dimensions are rounded	
Remarks: All dimensions are in dual properties: feet-inches & centimeters	